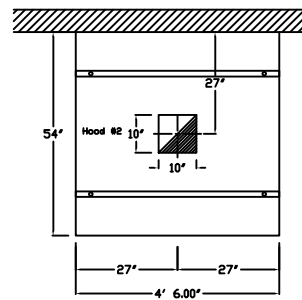


PLAN VIEW - 13' 0.00' LONG 4524R



PLAN VIEW - 4' 6.00' LONG 5424VH1

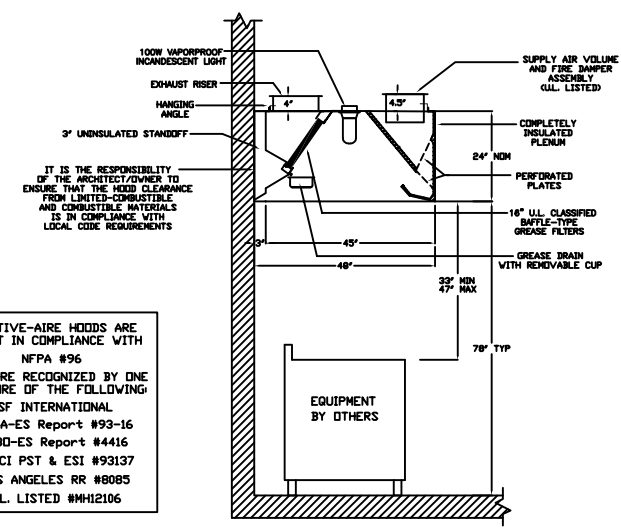
**HOOD INFORMATION**

HOOD NO.	MODEL	LENGTH	MAX. COOKING TEMP.	TOTAL EXHAUST CFM	EXHAUST PLENUM			SUPPLY PLENUM			HOOD CONSTRUCTION	HOOD CONFIGURATION	SWITCHES ON HOOD				
					WIDTH	DEPTH	CFM	S.P.	TOTAL SUPPLY CFM	WIDTH			DEPTH	CFM	END TO END	ROW	QUANTITY
1	4524 R	13' 0.00'	400	3900	10'	14'	1650	-0.525"	1900	10'	20'	950	0.125"	304 SS	Where Exposed		
2	5424 VH	4' 6.00'	300	675	10'	15'	675	-0.150"	0	10'	20'	950	0.125"	304 SS	100%		

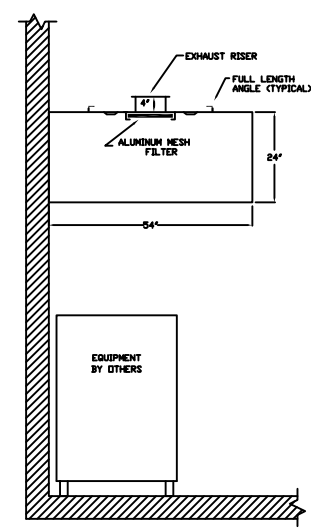
**HOOD INFORMATION**

HOOD NO.	FILTER(S)				LIGHT(S)				UTILITY CABINET(S)				FIRE RISKING PIPING	HOOD WEIGHT				
	NO.	TYPE	QTY	HEIGHT	NO.	TYPE	QTY	HEIGHT	NO.	TYPE	QTY	HEIGHT			NO.	TYPE		
1	1	Alum. Baffle w/ Handles	1	16"	4	Incandescent Lights	4	16"	NO	Left	ANSUL R-102	3.0/3.0	32111002	1 Light	1 Fan	Outside	YES	542 LBS.
2	1	Aluminum Mesh	1	16"	0		0										NO	98 LBS.

**AIR BALANCE NOTE:**  
 TOTAL EXHAUST = HOOD EXHAUST - HOOD SUPPLY  
 TOTAL EXHAUST = 3,975 CFM - 1,900 CFM  
 TOTAL EXHAUST = 2,075 CFM NEEDED FROM HVAC

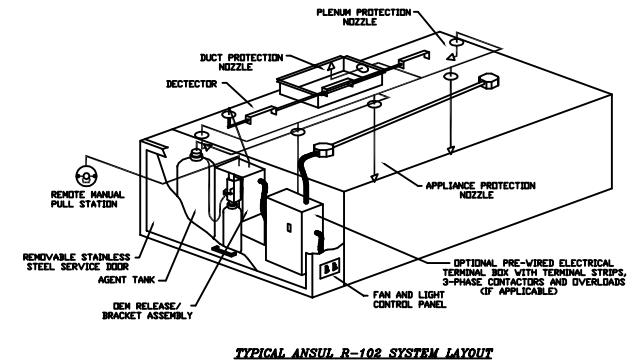


SECTION VIEW - MODEL 4524-R



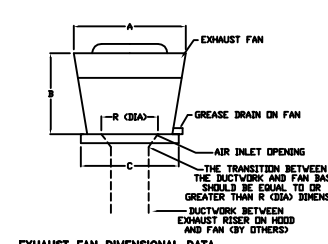
SECTION VIEW - MODEL 6424-VH1

CAPTIVE-AIRE HOODS ARE BUILT IN COMPLIANCE WITH NFPA #96 AND ARE RECOGNIZED BY ONE OR MORE OF THE FOLLOWING:  
 NSF INTERNATIONAL  
 BOCA-ES Report #93-16  
 ICBO-ES Report #4416  
 SBCCI PST & ESI #93137  
 LOS ANGELES RR #8085  
 U.L. LISTED #MH2106



TYPICAL ANSUL R-102 SYSTEM LAYOUT

**NCA SERIES UPBLAST EXHAUST FANS**



**EXHAUST FAN DIMENSIONAL DATA**

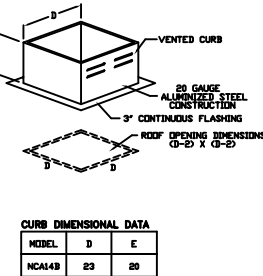
MODEL	A	B	C	R (OD)	WEIGHT
NCA148	35	23	24.75	15	112

**FEATURES:**  
 - ROOF MOUNTED FANS  
 - RESTAURANT MODEL  
 - UL 762 & UL 705  
 - WEATHERPROOF DISCONNECT  
 - THERMAL OVERLOAD PROTECTION  
 - HIGH HEAT OPERATION (400°F)  
 - GREASE CLASSIFICATION TESTING  
 - CSA APPROVED

**NORMAL TEMPERATURE TEST:**  
 EXHAUST FAN MUST OPERATE CONTINUOUSLY WHILE EXHAUSTING AIR AT 400°F (204°C) UNTIL ALL FAN PARTS HAVE REACHED THERMAL EQUILIBRIUM, AND WITHOUT ANY DETERIORATING EFFECTS TO THE FAN WHICH WOULD CAUSE UNSAFE OPERATION.

**ABNORMAL FLARE-UP TEST:**  
 EXHAUST FAN MUST OPERATE CONTINUOUSLY WHILE EXHAUSTING BURNING GREASE VAPORS AT 600°F (316°C) FOR A PERIOD OF 15 MINUTES WITHOUT THE FAN BECOMING DAMAGED TO ANY EXTENT THAT COULD CAUSE AN UNSAFE CONDITION.

**OPTIONS:**  
 - GREASE CUP  
 - HINGED FAN HAT  
 - PITCHED CURB  
 - INSULATED CURB



**CURB DIMENSIONAL DATA**

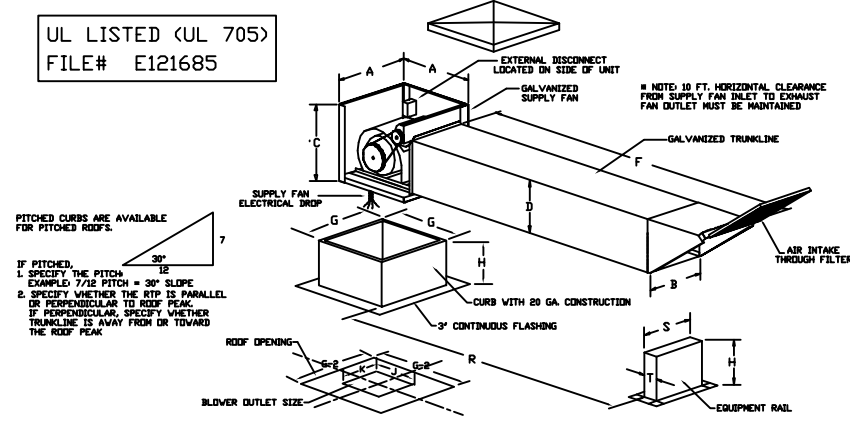
MODEL	D	E
NCA148	23	20

**FAN INFORMATION**

FAN UNIT NO.	FAN UNIT MODEL #	EXHAUST FAN						SUPPLY FAN									
		MODEL	TAG	CFM	S.P.	RPM	HP.	# VOLT	BLOWER	HOUSING	TAG	CFM	S.P.	RPM	HP.	# VOLT	
1	NCA148 HEF-1	NCA148		1650	-0.750"	1072	1.000	3	200								
2	NCA148 HEF-2	NCA148		1650	-0.750"	1072	1.000	3	200								
3	NSAU2-GB NSF-1									GI2	NSAU2	1900	0.500"	589	0.500	3	200

**NSAU2 SUPPLY FANS WITH TRUNKLINE AND RAIL**

UL LISTED (UL 705)  
 FILE# E121685

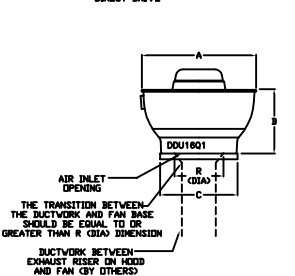


**DIMENSIONAL DATA**

FAN MODEL	A	B	C	D	F	G	H	R	S	T	BLOWER HOUSING	J	K	WEIGHT
NSAU2	36	25	29	25	104	38-1/2	14	59	23	4	TVD	G-12	13-3/4	350 LBS

NOTE: WEIGHT INCLUDES MAX SUPPLY FAN, TRUNKLINE, RAIL, AND CURB

**DDU SERIES UPBLAST EXHAUST FAN**



**FAN DIMENSIONAL DATA (ALL DIMENSIONS ARE IN INCHES)**

MODEL	A	B	C	R (OD)	WEIGHT
DDU1601	30.5	23.5	13.875	71	

**FAN INFORMATION**

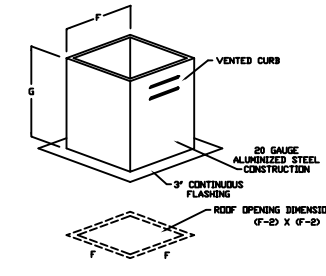
FAN UNIT NO.	FAN UNIT MODEL #	EXHAUST FAN						SUPPLY FAN								
		MODEL	TAG	CFM	S.P.	RPM	HP.	# VOLT	BLOWER	HOUSING	TAG	CFM	S.P.	RPM	HP.	# VOLT
4	DDU-1601 HEF-3	DDU-1601		675	-0.375"	872	0.500	1	115							

**FEATURES:**  
 - ROOF MOUNTED FANS  
 - RESTAURANT MODEL  
 - UL 762  
 - ANCA AIR AND SOUND  
 - WEATHERPROOF DISCONNECT  
 - THERMAL OVERLOAD PROTECTION  
 - DIRECT DRIVE  
 - SPEED CONTROL MOUNTED AT FACTORY  
 - GREASE EXHAUST CLASSIFICATION TESTING

**NORMAL TEMPERATURE TEST:**  
 EXHAUST FAN MUST OPERATE CONTINUOUSLY WHILE EXHAUSTING AIR AT 400°F (204°C) UNTIL ALL FAN PARTS HAVE REACHED THERMAL EQUILIBRIUM, AND WITHOUT ANY DETERIORATING EFFECTS TO THE FAN WHICH WOULD CAUSE UNSAFE OPERATION.

**ABNORMAL FLARE-UP TEST:**  
 EXHAUST FAN MUST OPERATE CONTINUOUSLY WHILE EXHAUSTING BURNING GREASE VAPORS AT 600°F (316°C) FOR A PERIOD OF 15 MINUTES WITHOUT THE FAN BECOMING DAMAGED TO ANY EXTENT THAT COULD CAUSE AN UNSAFE CONDITION.

**OPTIONS:**  
 - OPTIONAL GREASE CUP AVAILABLE  
 - OPTIONAL INSULATED CURB



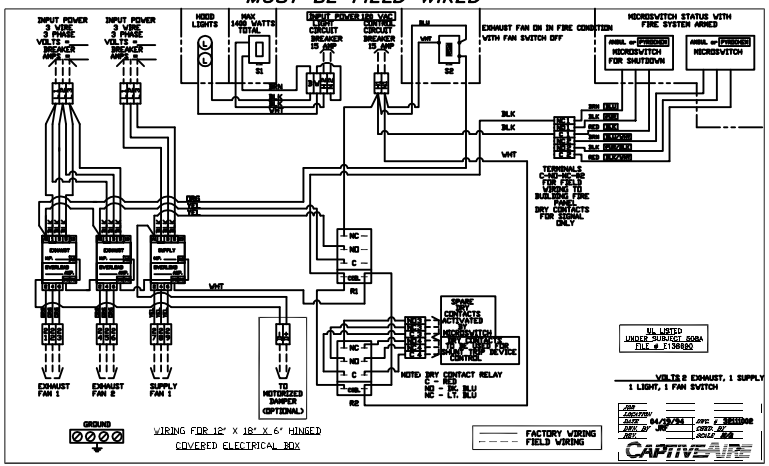
**CURB DIMENSIONAL DATA**

MODEL	F	G
DDU1601	23	26

**ELECTRICAL PACKAGES**

REL. TAG	PACKAGE #	LOCATION	SWITCHES	ROOFTOP STARTERS	OPTION	FANS CONTROLLED
1	HEP-1	28111002	Utility Cabinet Left Hood # 1	Utility Cabinet Left Hood # 1	Light	Exhaust 3 1,000 200 Exhaust 3 1,000 200 Supply 3 0,500 200

NOTE: IF WALL MOUNT PREWIRE, OR FIELD INSTALLED FIRE SYSTEM MICROSWITCH TERMINALS SHOWING FACTORY WIRING MUST BE FIELD WIRED



- GENERAL NOTES:**
- ELECTRICAL HOOD-UP TO GAS MOTOR CONTROLS (MOTOR STARTERS, FAN SWITCHES, FAN DISCONNECTS, RELAYS, ETC.) BY OTHERS.
  - FIRE CHANGE BY OTHERS, IF REQUIRED.
  - ALL PHASES OF INSTALLATION SHALL COMPLY WITH 1994 VERSION OF NFPA 96.
  - WRITE MEASUREMENTS HAVE PRECEDENCE OVER SCALE.
  - PROVIDE CLEARANCES IN EXHAUST AIR DUCTS AS INDICATED TO ALLOW CLEANING.
  - ALL SEAMS AND JOINTS TO HAVE A LIQUID TIGHT CONTINUOUS EXTERIOR WEAL.
  - FAN TO HAVE A MINIMUM OF 10 FT. OF CLEARANCE FROM THE OUTLET TO ADJACENT BUILDINGS, PROPERTY LINES, AIR INTAKES OR 3 FT. VERTICAL CLEARANCE FOR REFRIG.
  - HORIZONTAL EXHAUST DUCT TO SLOPE NOT LESS THAN 1" PER FOOT TOWARD HOOD.
  - NEED TO OVERHANG COOKING EQUIPMENT 6" ON ALL OPEN SIDES.
  - EXHAUST DUCT TO BE PROTECTED FROM COMBUSTIBLES PER NFPA96 AND LOCAL CODE.
  - BUILDING PRESSURE SHALL NOT EXCEED 0.02" WATER COLUMN AT EXTERIOR EDGES.
  - KITCHEN SHALL BE BALANCED TO BE NEGATIVE WITH RESPECT TO THE DINING ROOM.

FOR QUESTIONS, CALL THE SOUTHWEST FLORIDA REGIONAL OFFICE  
 4710 SILVER CIRCLE ZEPHYRHILLS, FL 33541  
 PHONE: (813)782-4420 or (727)588-2688 PINELLAS  
 FAX: (813)782-0769 or (727)588-2618 PINELLAS

**CUSTOMER APPROVAL TO MANUFACTURE:**

Approved as Noted   
 Approved with NO Exception Taken   
 Revised and Resubmit   
 SIGNATURE: \_\_\_\_\_  
 Your Title: \_\_\_\_\_ Date: \_\_\_\_\_

<b>JOB</b>	FIRST WATCH
<b>LOCATION</b>	NAPLES, FL
<b>DATE</b>	3-27-01
<b>DWG #</b>	010327FW
<b>REV.</b>	
<b>JOB #</b>	####
<b>DRAWN BY</b>	DC
<b>SCALE</b>	1/2 In = 1 Ft

